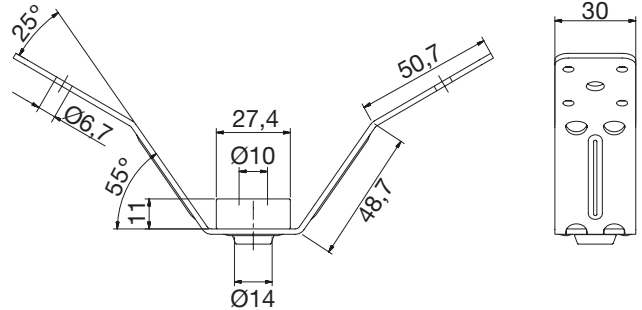


Brackets

WCRVG



Dimensions



Description

RV suspension profile with a plastic shock absorber

For suspension of ventilation ducts with the use of threaded rods and self-drilling screws or blind rivets. Allows fixing against trapeze type ceilings.

With a plastic element that prevents transmissions of vibrations.

Material: Galvanized steel
 Thickness: ... 2 mm

Ordering example

Product WCRVG



Technical data

Max recommended load for different fire classes.

Installation	Ventilation system					Smoke control system
	R0 no fire class	R15	R30	R45	R60	
Type	kg	kg	kg	kg	kg	600 °C 120 min. kg
WCRVG	50	-	-	-	-	-