

# Bend – long

# BSUSS 90°

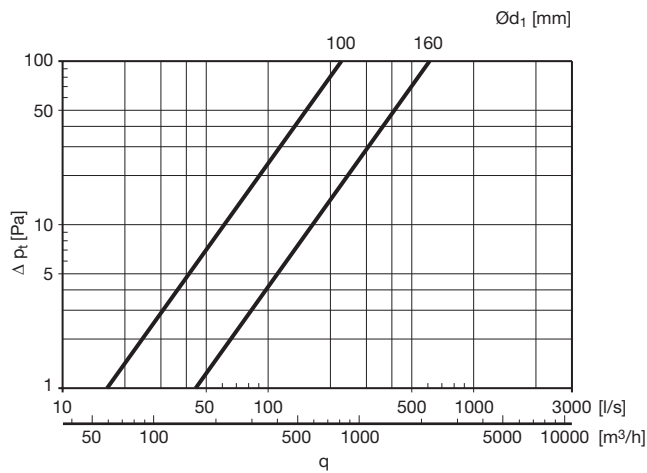


## Description

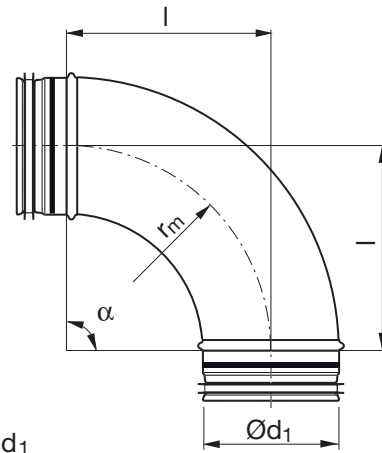
Pressed and seam welded bend.

The product is CE marked according to EN 12101-7 and used in a circular smoke control system - single compartment (see declaration of performance).

## Technical data

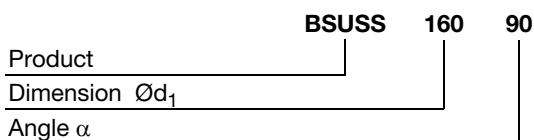


## Dimensions



$\varnothing d_1$ nom	$l$ [mm]	$m$ [kg]
100	150	0,50
150	225	0,95
160	240	1,14

## Ordering example



# Bend – long

# BSUSS 45°

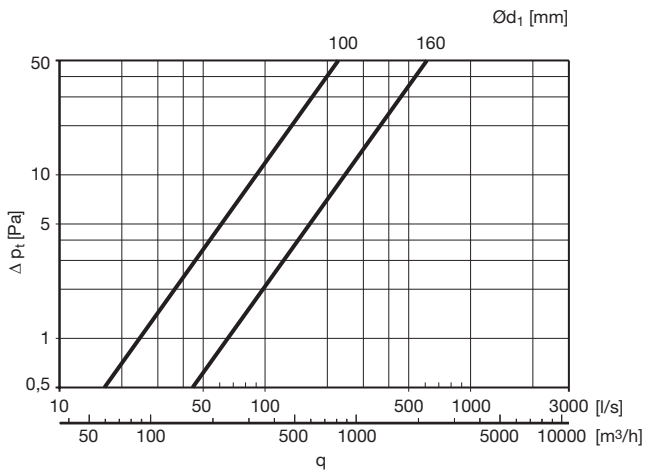


## Description

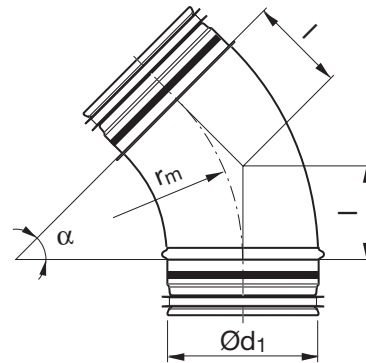
Pressed and seam welded bend.

The product is CE marked according to EN 12101-7 and used in a circular smoke control system - single compartment (see declaration of performance).

## Technical data



## Dimensions



$$r_m \approx 1,5 \cdot d_1$$

Ød <sub>1</sub> nom	l [mm]	m [kg]
100	62	0,26
150	93	0,49
160	100	0,59