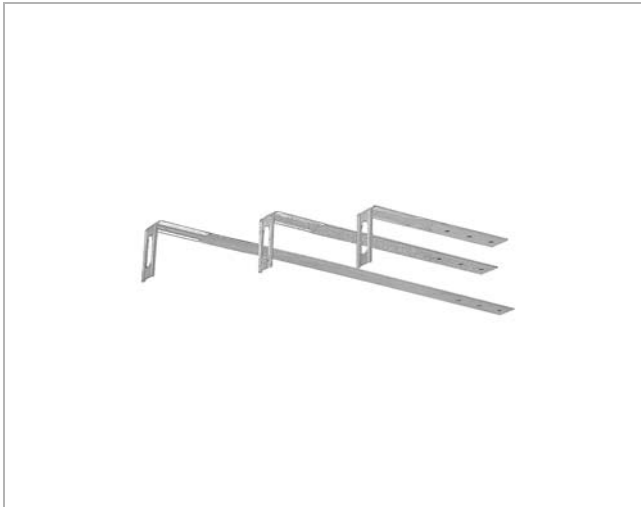
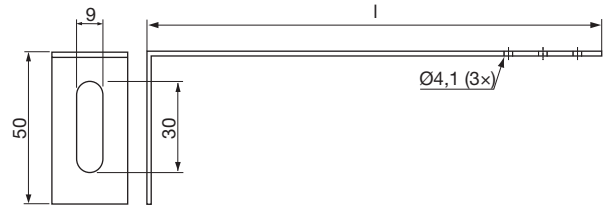


Fastener bracket

WCLT



Dimensions



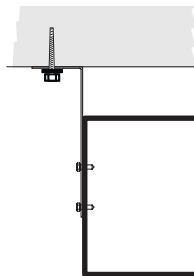
Dim	Length l mm	Thickness mm
30	150	1,5
30	250	1,5
30	400	1,5

Description

Surface finish: Electro zinc plated.
Material 30 x 1,5 mm

Technical data

Max recommended load for different fire classes.



Installation	Ventilation system					Smoke control system
	R0 no fire class. kg	R15 kg	R30 kg	R45 kg	R60 kg	600 °C 120 min kg
WCLT	40	-	-	-	-	-

Ordering example

