

Channel

RPC

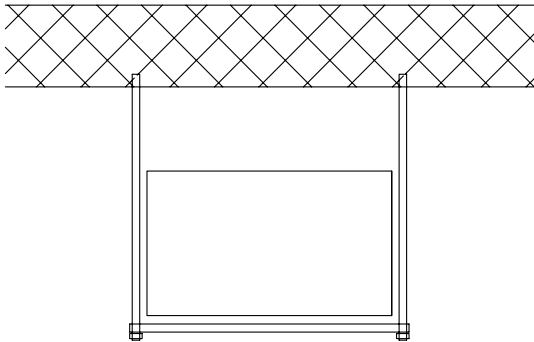


Description

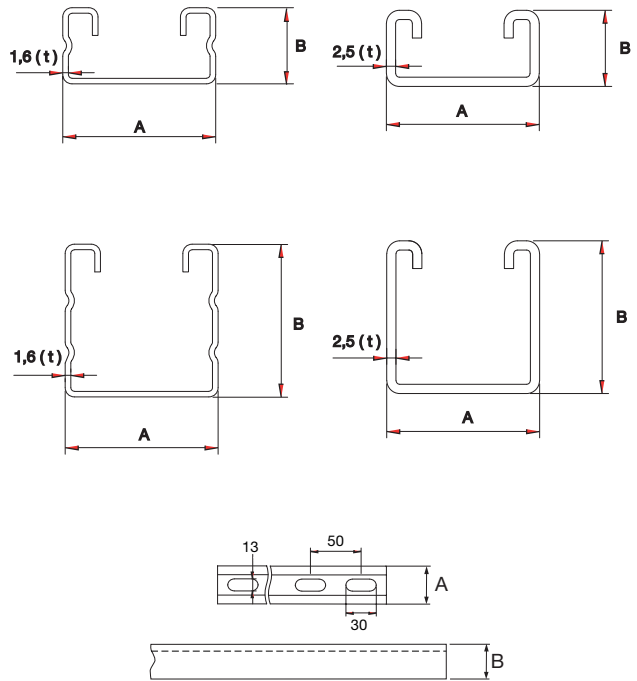
RPC is a strong steel rail in hot-dip galvanized sheet (Z 275). Supplied in lengths of 3 and 6 metres.

Suitable in connection with suspension, e.g. for supporting rectangular ducts.

RPC is provided with elongated holes in the bottom and bent edges at the top. The walls of the rail for thickness 1,6 mm are reinforced.



Dimensions



Dim		Length [mm]	Type	t [mm]
A	B			
41	21	3000	SLOT	1,6
41	21	3000	SLOT	2,5
41	21	6000	SLOT	1,6
41	21	6000	SLOT	2,5
41	41	3000	SLOT	1,6
41	41	3000	SLOT	2,5
41	41	6000	SLOT	1,6
41	41	6000	SLOT	2,5

Ordering example

	RPC	4121	3000	SLOT	2,5
Product					
Dimension A x B					
Length					
Type					
Thickness					