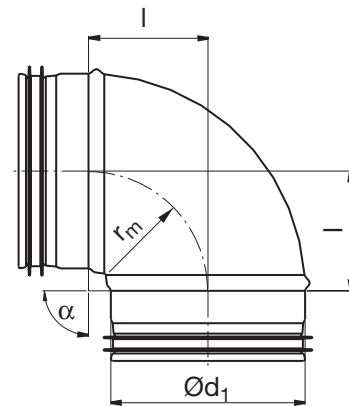


Bend – short

BKU 90°



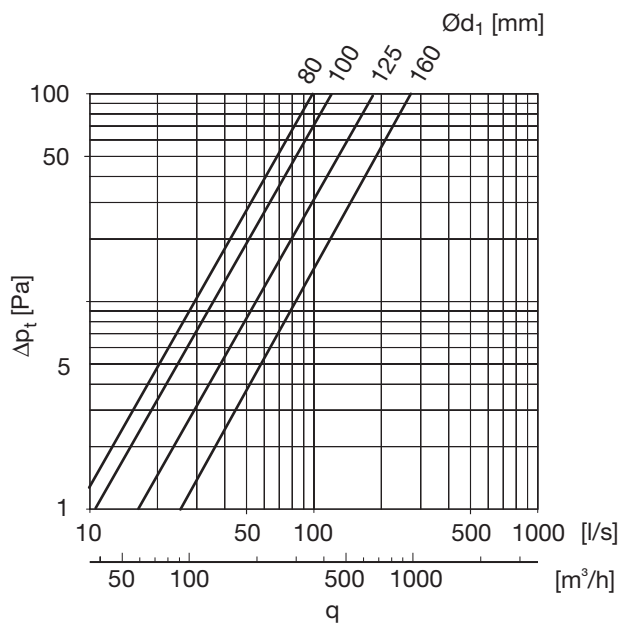
Dimensions



$$r_m \approx 0,6 \cdot d_1$$

Description

Pressed and seam welded bend with short installation length.



$\text{Ø}d_1$ nom	l [mm]	m [kg]
80	80	0,14
100	62	0,22
125	79	0,31
160	94	0,50

Ordering example

