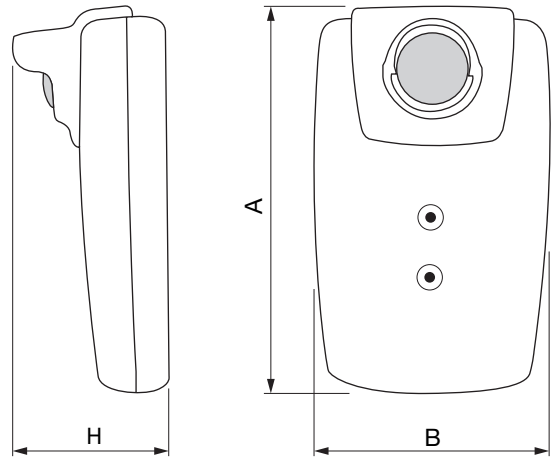


Bluetooth sensor – presence, temperature, relative humidity

SEPTH



Dimensions



A mm	B mm	H mm	m kg
56	35	23	0,2

Description

The SEPTH sensor, detects movement using a PIR sensor, and measures temperature and humidity without need for additional compensation – true read.

Battery lifetime is up to 2 years.

This product is recommended to be used together with UltraLink FTCU or FTMU and the OneLink app for controlling your ventilation system.

Standard specification

Measured presence, operating principle passive infrared sensor (PIR)

Measurements

- Presence 0/1
- Detection range 5 m radius
- Temperature -40–85°C accuracy ±0.4°C (@ -10–85°C)
- Relative Humidity 0-100% accuracy ±4% RH (@ 0–80% RH, @ 25°C)

Dimensions: 56 x 35 x 23 mm

Battery life expectancy: ~2 years

Power supply: 1 x CR2450 Lithium batteries (included)

BLE Bluetooth 4.0 low energy, range >100m with free line of sight

Maintenance Interval: Maintenance-free

Ordering example

Product **SEPTH**