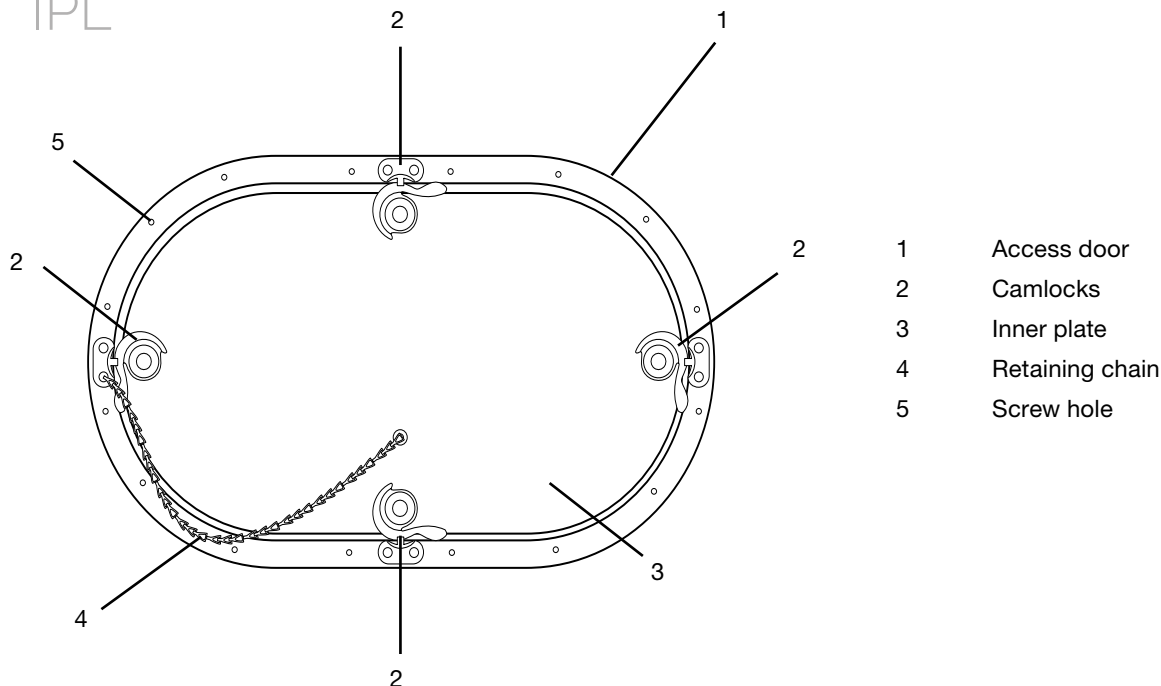


# Lindab **Access door IPL**

Mounting instruction

# Access door

IPL



1. Unlock the camlocks by turning them (Fig. 1).
2. For uninsulated ducts: Use the inner frame as a template and cut a hole in the side of the duct - Flush mounting (Fig. 2)  
For insulated ducts: Use the inner frame as a template and cut a hole on the top of the duct - Exterior mounting (Fig. 3)
3. Apply a string of sealant around the hole and put the frame in (Fig.4).
4. Fasten the frame with blind rivets.
5. Mount the door in the frame and lock the camlocks.

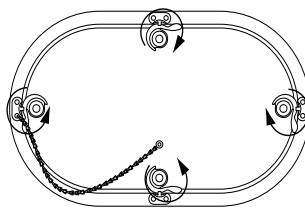


Fig. 1



Fig. 2

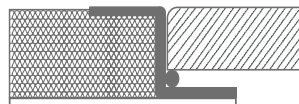


Fig. 3

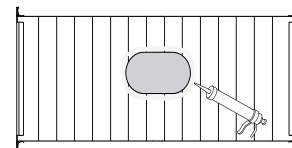


Fig. 4



Most of us spend the majority of our time indoors. Indoor climate is crucial to how we feel, how productive we are and if we stay healthy.

We at Lindab have therefore made it our most important objective to contribute to an indoor climate that improves people's lives. We do this by developing energy-efficient ventilation solutions and durable building products. We also aim to contribute to a better climate for our planet by working in a way that is sustainable for both people and the environment.

[Lindab | For a better climate](#)