

Duct holder

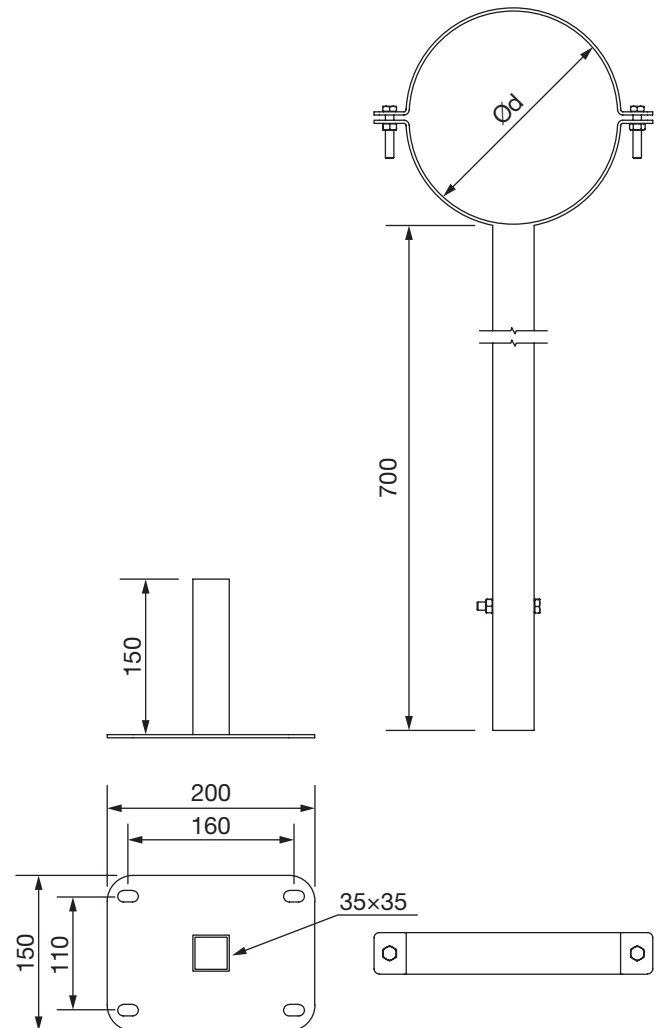
RK



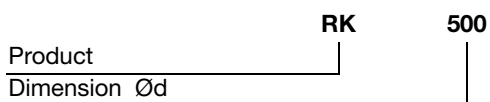
Description

Hot dip galvanized duct holder with foot.
 The ring is joined with two M8 bolts and nuts.
 The leg is joined with a M8 bolt and nut.
 The foot has four 10×17 mm fastening holes.
 The leg can be removed from the foot and be shortened to desired length. Is delivered assembled.

Dimensions



Ordering example



ØD nom	Ring material mm	Hole mm	m kg
100	40×2	10 x 17	2,60
125	40×2	10 x 17	2,70
160	40×3	10 x 17	3,20
200	40×3	10 x 17	3,40
250	40×3	10 x 17	3,50
315	40×3	10 x 17	3,70
400	40×3	10 x 17	4,00
500	40×4	10 x 17	4,40
630	40×4	10 x 17	5,80
800	40×4	10 x 17	6,60
1000	40×4	10 x 17	6,80
1250	40×4	10 x 17	7,70