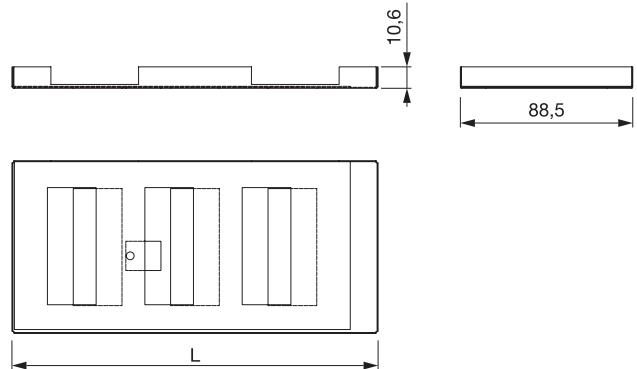


Sliding damper

SKG



Dimensions

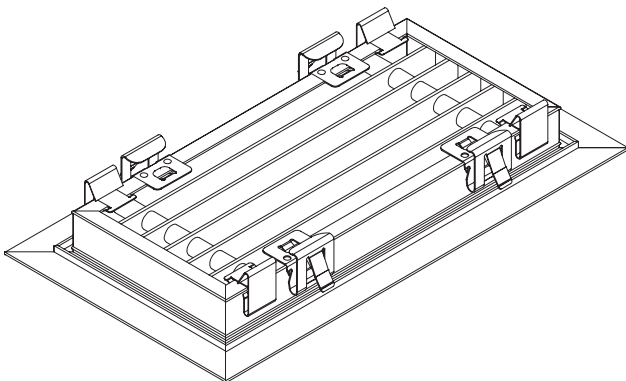


Description

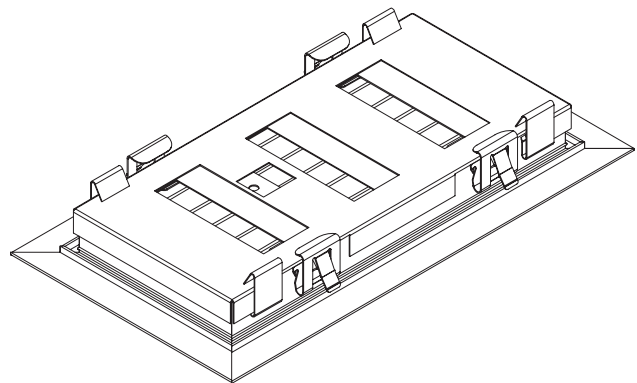
Low-built sliding damper for regulating the air volume in plenum box PGWU. It is attached on to the grille AL30C with the four accompanied fastening clips.

Dimension LxH mm	L [mm]	m kg
200x100	188	0,11
300x100	288	0,16

Mounting of the four fastening clips



Mounting of the sliding damper SKG onto grid AL30C



Ordering example

Product	SKG	2010
Dimension		