

Access door

KCIVU



Description

Insulated access door which fits outside a Safe fitting.

Ø100-315

The door is held in place by spring clips against the inside of the Safe fitting. The door is loosened by pulling it while turning it slightly, and is installed in the opposite manner. There are one or two handles to help in the process.

Ø400

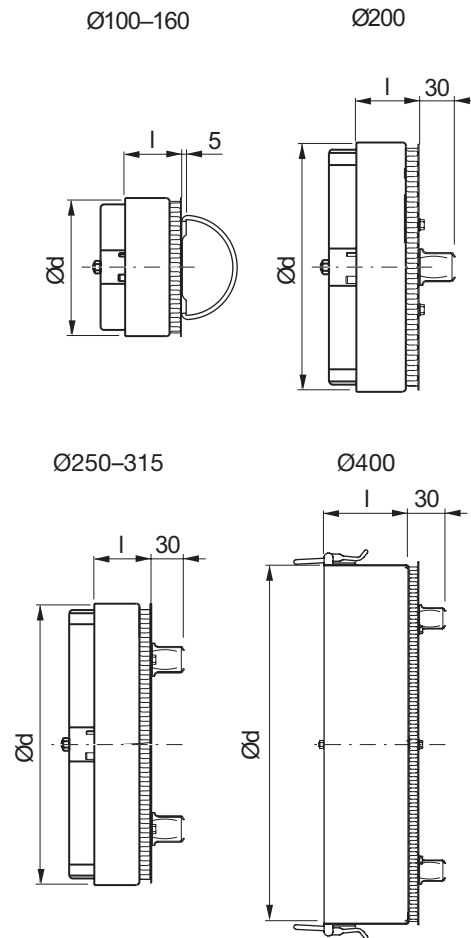
The door is held in place by two eccentric locks and is loosened by unlocking the eccentric locks. Slightly turning and pulling the door will make it easier to get it loose.

Δp in the table gives the maximum positive pressure the access door can withstand when installed from beneath.

No Click function – no notches.

Can achieve maximum tightness class D.

Dimensions



Ød nom	Δp Pa	l [mm]	m [kg]	Handle
100	3400	50	0,43	1 folding
125	3400	50	0,62	1 folding
160	3400	50	1,00	1 folding
200	3400	50	1,41	1 fixed
250	3400	70	2,25	2 fixed
315	2600	70	3,30	2 fixed
400	10000	100	5,00	2 fixed

Fire classification (Swedish type approval)

The access door has been tested and has a Swedish type approval for the following fire classification:

Ød nom	Fire classification
100-400	EI 60

Ordering example

Product	KCIVU	250
Dimension Ød		

