

## Lindab **Click Pliers**

- EN Instruction for mounting the Click Pliers Kit
- SE Monteringsinstruktion för Klicktångsats
- DE Montageanleitung Click-Zangensatz
- FR Instruction de montage du kit pour pinces à encoches « click »

# Presentation / Presentation / Präsentation / Présentation

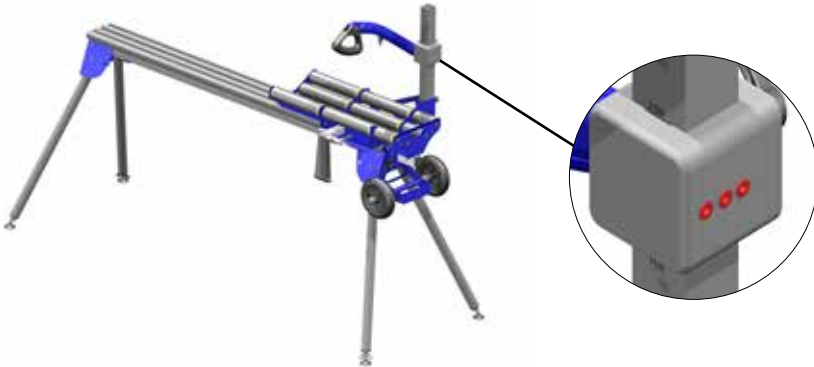
Click Pliers kit / Klicktångsats / Click-Zangensatz /  
Kit support de pinces Click

Pins/Pinnar/Stifte/Tenons



- EN** With the Click Pliers the notches for the Lindab Safe Click system can be made in ducts. To use the pliers with the SR Cutter you need an arm, Click Pliers Kit.
- SE** Med Click tångerna kannockarna till Lindab Safe Click göras i kanalerna. För att kunna använda tångerna till SR Cutter behövs en arm, Klicktångsats.
- DE** Mit der Click-Zangen werden die Rohre mit den Nocken für das Lindab Safe Click-System versehen. Um die Zange mit dem SR-Cutter zu verwenden benötigen Sie den Arm, den Click-Zangensatz.
- FR** Les pinces à marques Click permettent de réaliser les encoches dans les conduits pour le système Lindab Safe Click. Pour réaliser ces encoches avec le SR Cutter, le kit support de pinces Click est nécessaire.

## Mount the arm / Montera armen / Montage des Arms / Montage du kit support de pinces Click

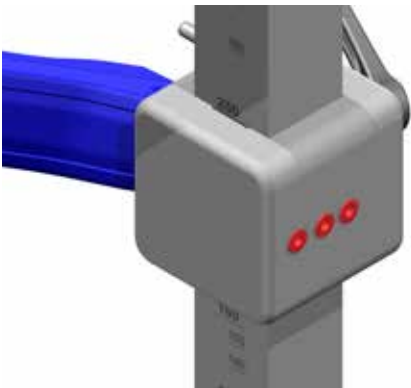


**EN** The SR Cutter without Click Pliers Kit.

**SE** SR Cutter utan Klicktångsats.

**DE** SR Cutter ohne Click-Zangensatz.

**FR** SR Cutter sans kit support de pince Click.

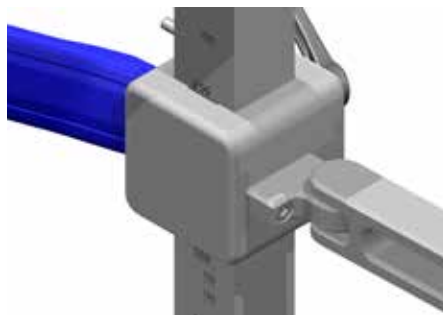
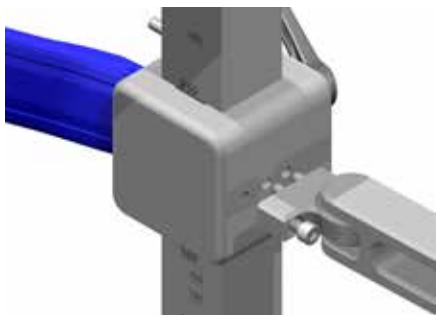


**EN** Remove the plastic caps from the setting block.

**SE** Ta ut platspluggarna ur inställningsblocket.

**DE** Entfernen Sie die Plastikkappen vom Halteblock.

**FR** Retirez les bouchons plastiques des mortaises.



**EN** Mount the arm so that the pins fits into the holes in the setting block.

**SE** Montera armen så att pinnarna på armen passar i hålen på inställningsblocket.

**DE** Montieren Sie den Arm, sodass die Stifte in die Löcher des Halteblocks passen.

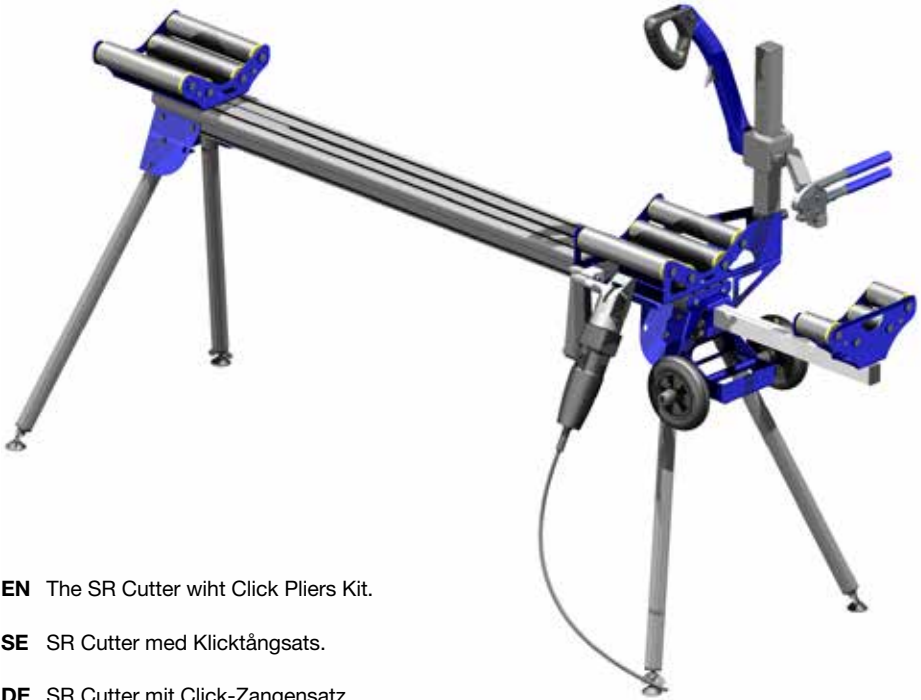
**FR** Insérez les tenons dans les mortaises.

**EN** Tighten the screw.

**SE** Spänn åt skruven.

**DE** Ziehen Sie die Schraube fest.

**FR** Vissez.



**EN** The SR Cutter with Click Pliers Kit.

**SE** SR Cutter med Klickångsats.

**DE** SR Cutter mit Click-Zangensatz.

**FR** SR Cutter avec le kit support de pinces Click.



# Good Thinking

**At Lindab**, good thinking is a philosophy that guides us in everything we do. We have made it our mission to create a healthy indoor climate – and to simplify the construction of sustainable buildings. We do that by designing innovative products and solutions that are easy to use, as well as offering efficient availability and logistics. We are also working on ways to reduce our impact on our environment and climate. We do that by developing methods to produce our solutions using a minimum of energy and natural resources, and by reducing negative effects on the environment. We use steel in our products. It's one of few materials that can be recycled an infinite number of times without losing any of its properties. That means less carbon emissions in nature and less energy wasted.

**We simplify construction**