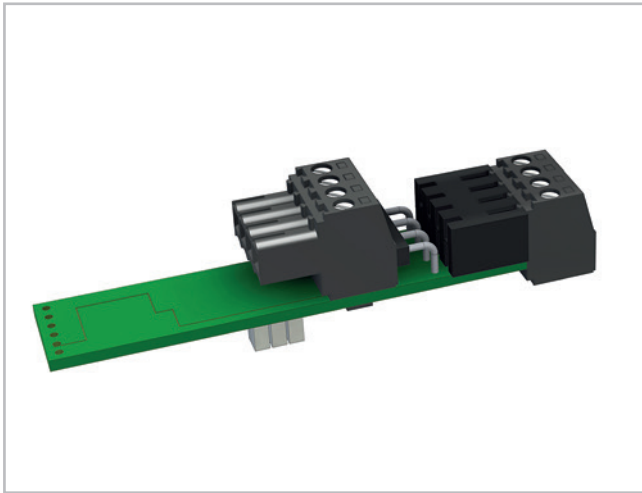


# Regula Pulse



## Description

Regula Pulse is an adaptor that safely connects your modulating CO<sub>2</sub> sensor or modulating humidity (RH) sensor to Regula Control Pascal or Regula Connect Pascal. An alternative version called Regula Pulse Combi is used if connecting the modulating CO<sub>2</sub>/RH sensor directly to a Regula Combi (SRC) via cable. This is only necessary when using Pascal program 6 and 8.

## Specification

Conversion of an analog 0 - 10 V signal to a PWM signal with the period of 10 seconds. The PCB is designed to fit directly to Regula Control Pascal or Regula Connect Pascal.

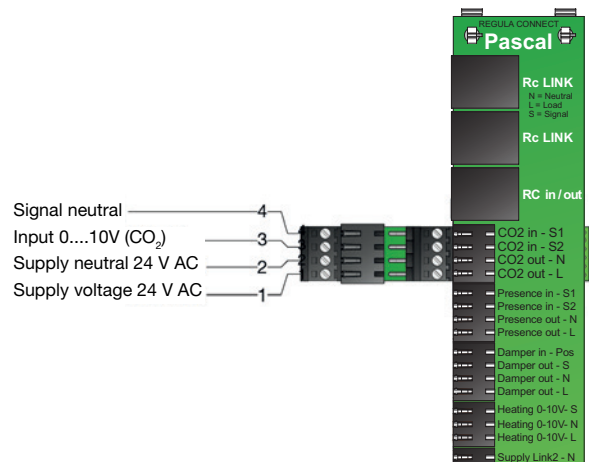
Operating voltage:	24V AC/DC +/- 15%
Power consumption:	0.3 W
• Analog input:	
Voltage Range	0...10V
Resolution	12 bits
Input load	24 ohm resistor
• PWM output:	
Type	OPTO output
Duration	0.1 Hz (10 seconds)
Resolution	20000 steps

The input signal 0....10V is directly translated to PWM signal of 0....100%.

## Order code

Product	Regula Pulse	Regula Pulse Combi
Type		
Regula Pulse		
Regula Pulse Combi		

## Regula Pulse print



## Regula Pulse Combi

Without cover:



With cover:



On the Regula Pulse Combi casing the connection terminals are described. See photo above.

The black side with power supply and input for 0-10V signal 1-4 must be connected with cable to the modulating CO<sub>2</sub> or RH sensor.

The orange side with power supply and PWM signal must be connected with cable directly to Regula Combi.

## Wiring Regula Pulse Combi

